

LAYING INSTRUCTIONS – LOC-CLICK

JANGAL Lake Line - Herringbone

For the installation of laminate flooring, the Construction Tendering and Contract Regulations (VOB), Part C, DIN 18365 (Germany), or the respective applicable standards for flooring work, the generally accepted rules of the trade and the state of the art must be observed.

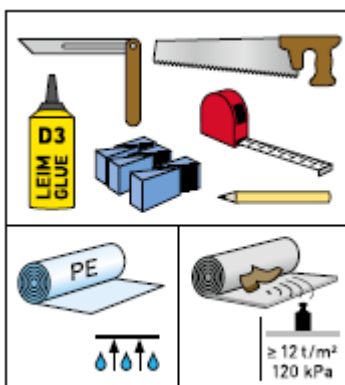
Before you start to install the floor, please read these installation recommendations carefully and follow them during installation.

VORBEREITUNG



Despite regular quality controls, material defects can't be completely ruled out. Therefore, before installation our floor coverings must be thoroughly checked for batch equality (optical equality) and defects or damage. Recognisable defects can no longer be rectified after installation or cutting.

Note that the floor covering must not be screwed, glued or nailed.

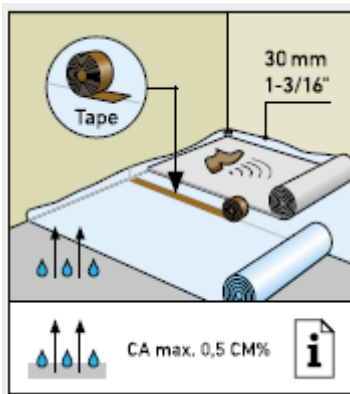


We recommend the following tools for installation:

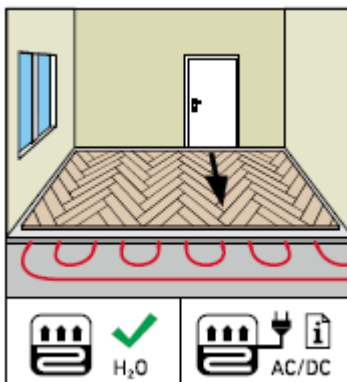
- Broom / vacuum cleaner
- Tape measure
- Pencil
- Drawing angle
- Jigsaw
- Adhesive D3 Glue
- Spacer blocks
- Impact sound insulation with a pressure stability of at least 120 kPa
- Vapor barrier



The substrate must be free of cracks, clean, tension/pressure resistant and permanently dry (VOB, Teil C, DIN 18365). Old coatings must be completely removed from the substrate, as they affect the flatness of the substrate. The flatness of the substrate must not vary by more than +/-1 mm over 1 m (DIN 18202). If possible let the underlayment be checked through the floor layers.

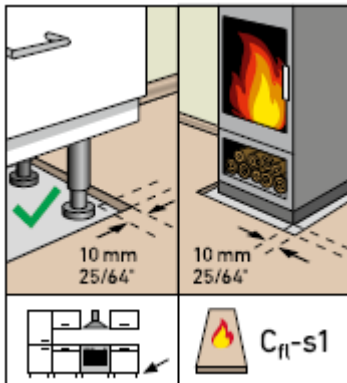


Check the moisture of the subfloor. The maximum permissible moisture for cement screed is 2.0%, for underfloor heating 1.8%. For anhydrite (calcium sulfate) screed the maximum residual moisture is 0.5%, for underfloor heating max. 0.3%. In case of screed and concrete floors, install a vapor barrier. Make sure that you have an overhang of approx. 3 cm at the walls. A suitable insulating underlay is recommended on all subfloors for improved impact sound minimization. The insulation underlay is laid with "butt joints", not overlapping, and fixed with aluminum tape.

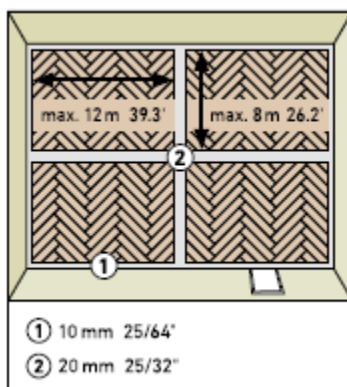


When laying on hot water underfloor heating systems, the screed must be produced in accordance with DIN18353 and heated to the required thickness (DIN EN1264 and DIN4725). The temperature on the surface of the flooring must not exceed 27 °C.

Note: When using an electric underfloor heating system, it must be ensured that it can be controlled and regulated. For this purpose, please obtain approval in advance from the manufacturer of your electric underfloor heating system.



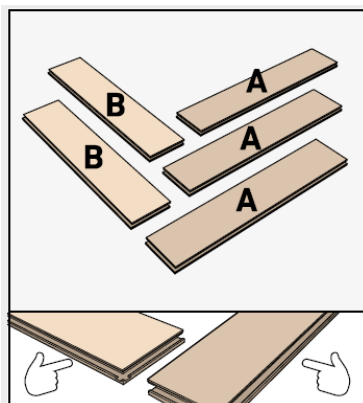
Fitted kitchens, built-in cabinets and fireplaces must be set up before installation. It is not permissible to install them on top of the floor covering. Make sure that a 10 mm circumferential distance is maintained.



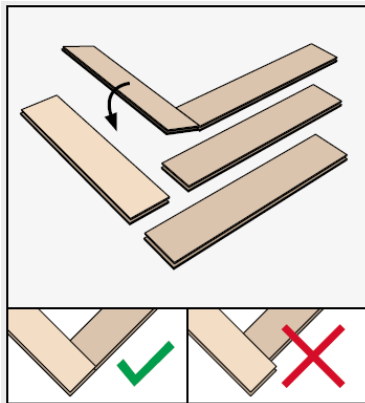
Plan for expansion or movement joints before installation.

In rooms that are lengthwise more than 12 m and/or widthwise more than 8 m, expansion joints must also be included. This also applies to door openings, room passages, wall projections and angled rooms. A clearance must also be maintained from fixed components, e.g. radiator pipes. If the expansion or movement joint is omitted, the installer is liable.

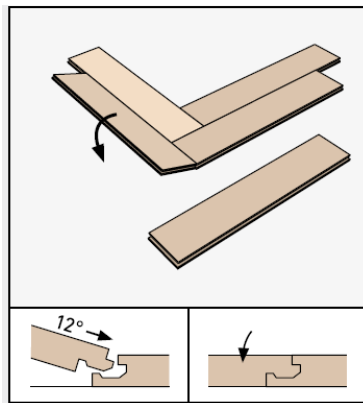
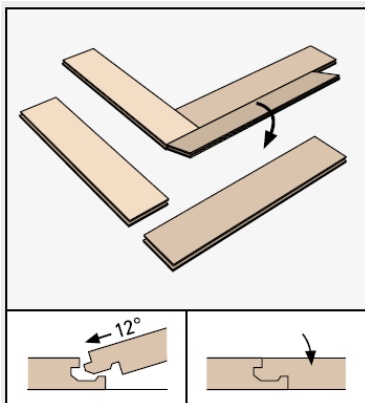
VERLEGUNG



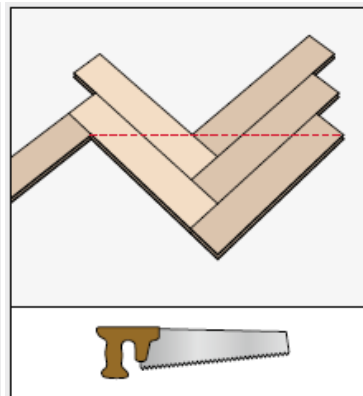
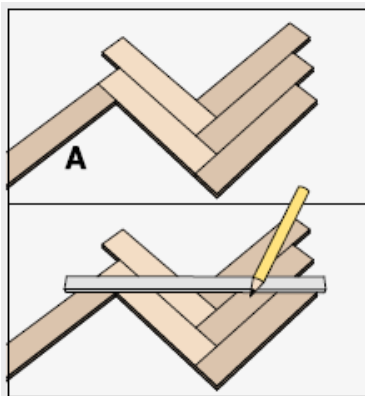
In each package are always 7 x A and 7 x B planks. These are labeled on the back of each plank.



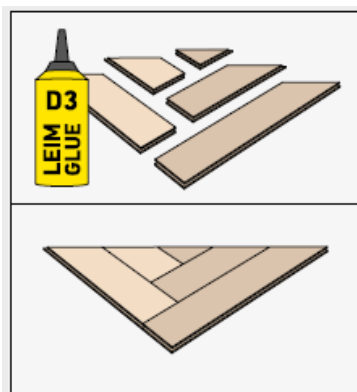
Start with an A plank and continue with a B plank by clicking the long side of the B plank to the short end of the A plank. Make sure that the planks are absolutely flush with each other.



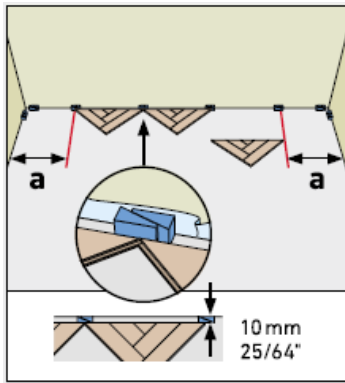
Continue by clicking the A respectively B plank lengthwise to the previous plank. Proceed with the A and B planks until you have laid three A planks.



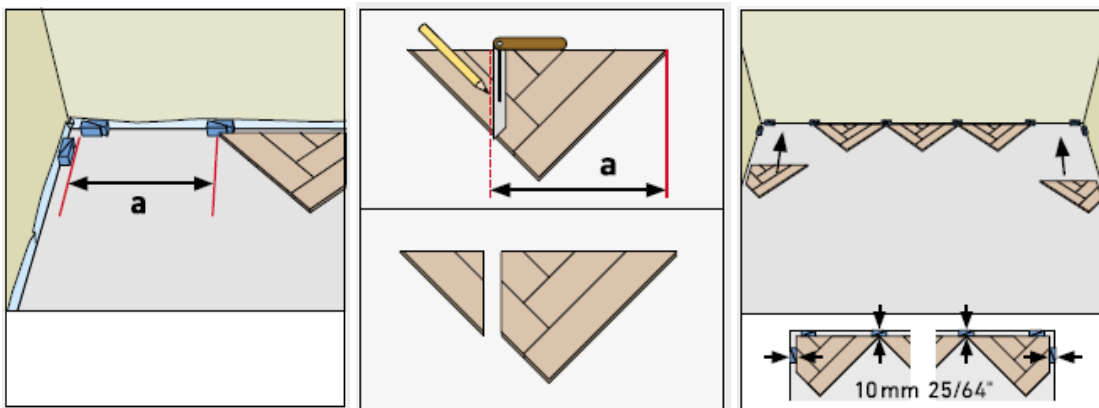
To place the first planks at the wall, you need to cut them with the help of a saw or jigsaw. In advance, mark the area that need to be cut.



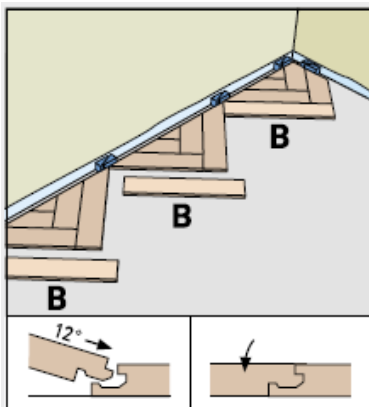
The cut planks are now glued into separate triangles with D3 glue.



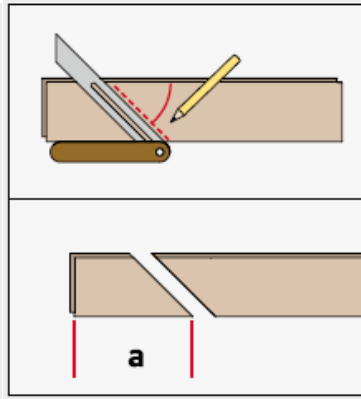
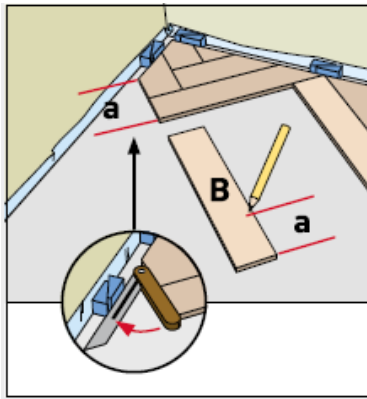
Place the glued triangles centrally to the wall so that the distance to the left and right is the same. Take into account the circumferential distance from the wall of at least 10 mm.



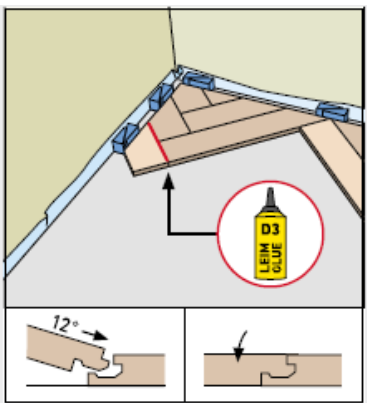
To complete the first row with the already prepared triangles, you need to cut the remaining triangles on the left and right according to the length.



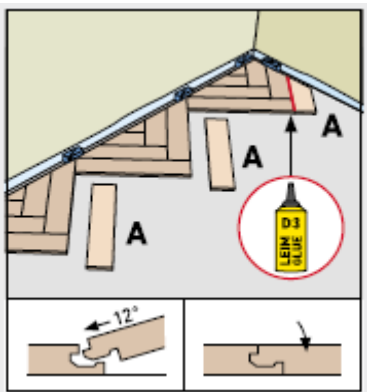
Once the first row is complete, you need to click the B planks into the existing triangles from left to right. This is done by clicking in on the long side until it snaps into place completely.



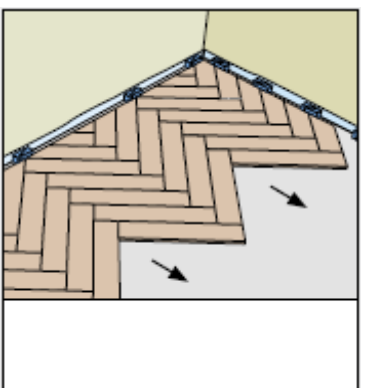
Cut the B planks on the left and right to the appropriate length.



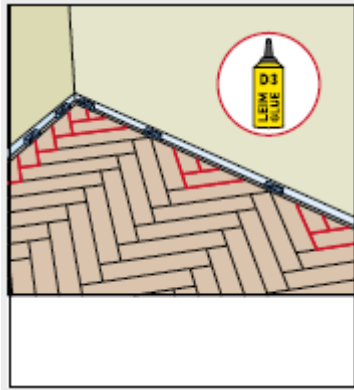
These are now glued with D3 glue and clicked to the existing rows.



Continue in the same way with the A planks and glue the cut A plank with D3 glue.

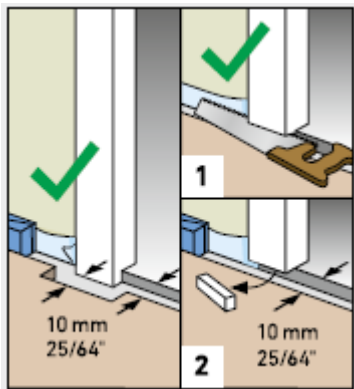


Now lay the A and B boards alternately.

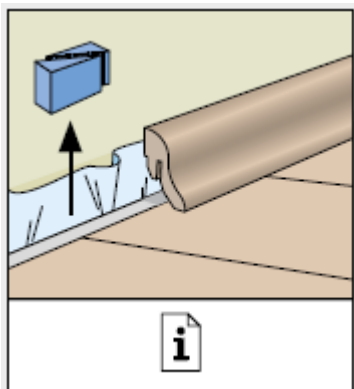


For the last row and the missing side pieces you need to cut the planks. These are then glued to the existing rows with the help of D3 glue.

SPECIFIC CHARACTERISTICS



Door frames made of wood can be shortened. This is done by placing a panel with the decor side down against the frame. Now shorten the door frame along the panel using a suitable saw. Afterwards, the panel can simply be slid under the frame with the decor side facing up. For door frames that cannot be shortened, cut the panel accordingly and ensure that the circumferential distance of the expansion joints is at least 10 mm.



For the perfect finish, attach the skirting clips to the wall at a distance of 40 - 50 cm, and clip the cut-to-size skirting boards on.